

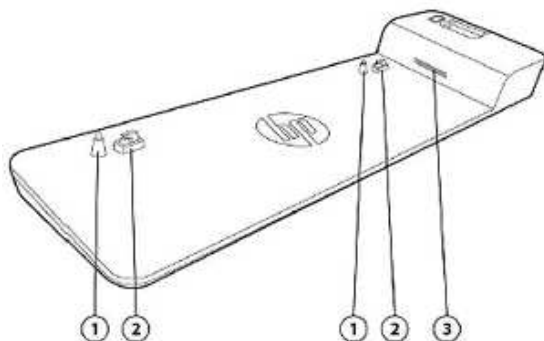
2013 HP UltraSlim Docking Station - Identifying Components

Front side

Rear side

Front side

Figure 1: Fronts

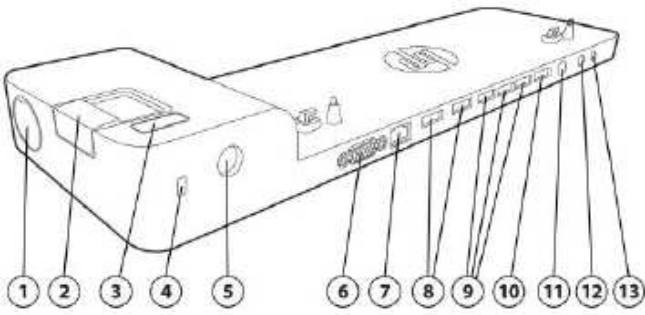


Item Number	Component
1	Docking posts
2	Locking mechanism (lock not included)
3	Side docking connector



Rear side

Figure 2: Rear



Item Number	Component
1	Docking station cable lock slot (lock not included)
2	Connection button
3	Connect light
4	Lock slot (lock not included)
5	Docking station cable lock slot (lock not included)
6	VGA port
7	LAN/Ethernet port
8	DisplayPort 1.2
9	USB 3.0 ports (3)
10	USB 3.0 charging port (1)
11	Power connector
12	Line in jack
13	Line out jack